

规格书编号

SPEC NO: HDF1575MP2SP01

产品规格书

SPECIFICATION

CUSTOMER 客户: _____
PRODUCT 产品: _____ SAW FILTER _____
MODEL NO 型号: _____ HDF1575M-P2 _____
MARKING 印字: _____ C029 _____
PREPARED 编制: _____ CHECKED 审核: _____
APPROVED 批准: _____ D A T E 日期: _____ 2014-4-4 _____

| | | |
|-------------------------|-------------|---------|
| 客户确认 CUSTOMER RECEIVED: | | |
| 审核 CHECKED | 批准 APPROVED | 日期 DATE |
| | | |

无锡市好达电子有限公司
Shoulder Electronics Limited

更改历史记录 History Record

| 更改日期 Date | 规格书编号 Spec. No. | 产品型号 Part No. | 客户产品型号 Customer No. | 更改内容描述 Modify Content | 备注 Remark |
|--------------|--------------------|------------------|------------------------|--------------------------|--------------|
| | | | | | |
| | | | | | |
| | | | | | |
| | | | | | |
| | | | | | |
| | | | | | |
| | | | | | |
| | | | | | |
| | | | | | |
| | | | | | |
| | | | | | |
| | | | | | |
| | | | | | |
| | | | | | |
| | | | | | |
| | | | | | |
| | | | | | |
| | | | | | |
| | | | | | |
| | | | | | |
| | | | | | |
| | | | | | |

1. Features

SAW filter for GPS.

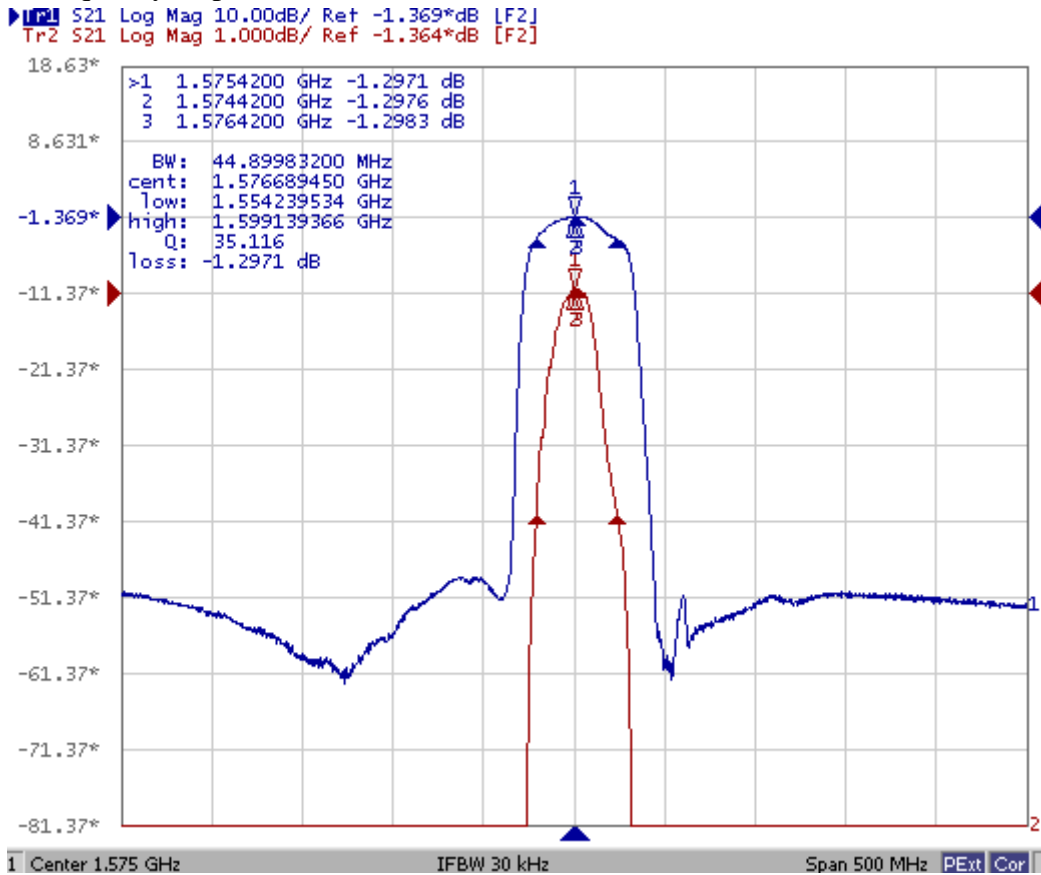
- High stability and reliability with good performance and no adjustment.
- Narrow and sharp pass band characteristics.
- Low insertion loss and deep stop band attenuation for interference.
- Low – loss SAW filter for GPS.

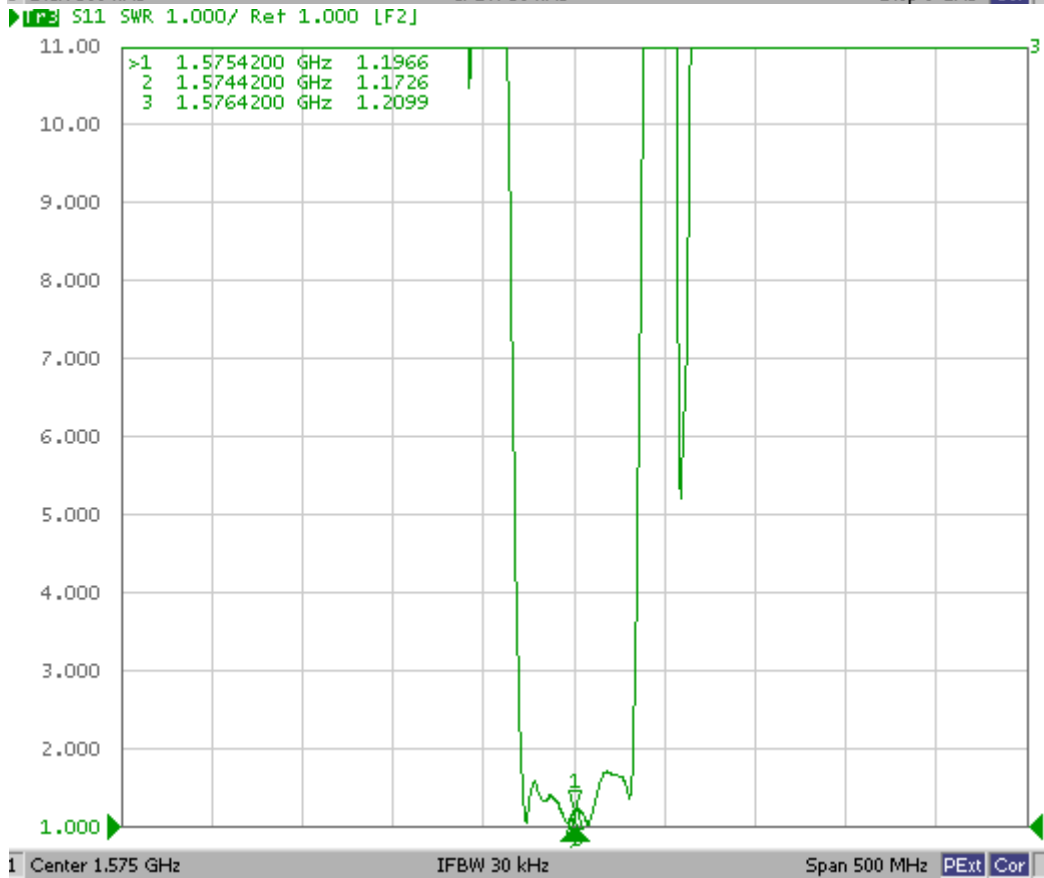
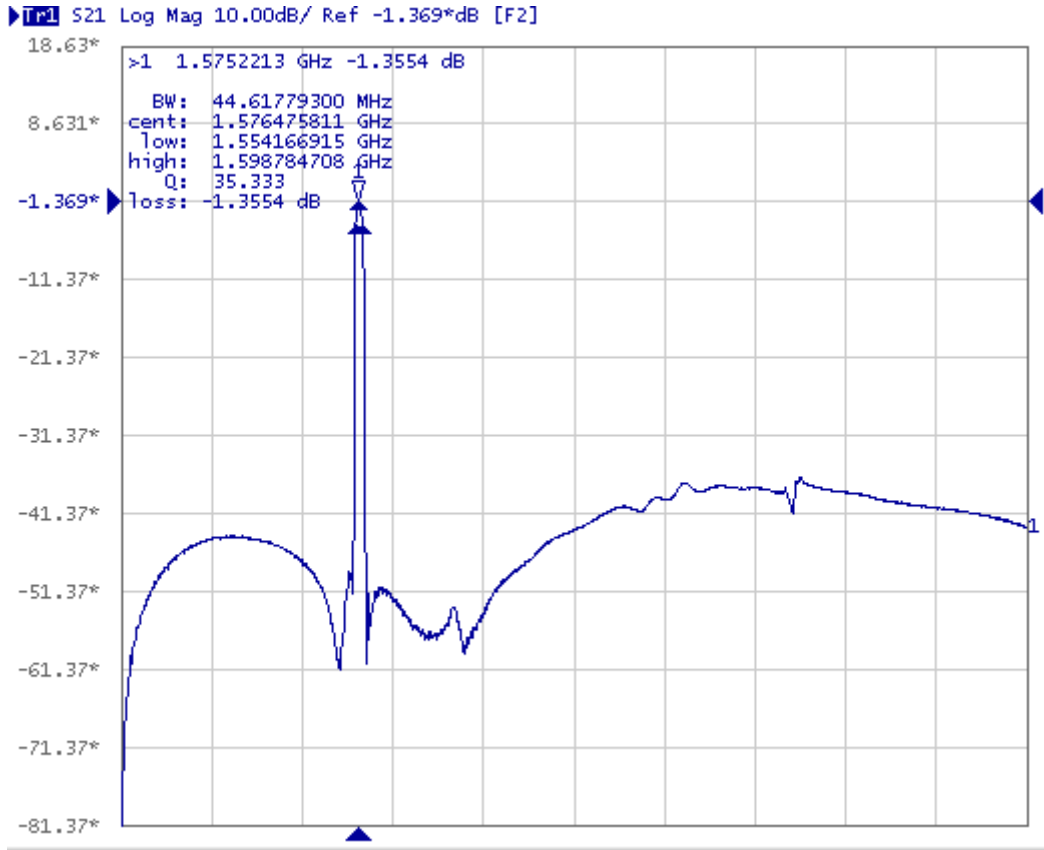
2. ELECTRICAL SPECIFICATION

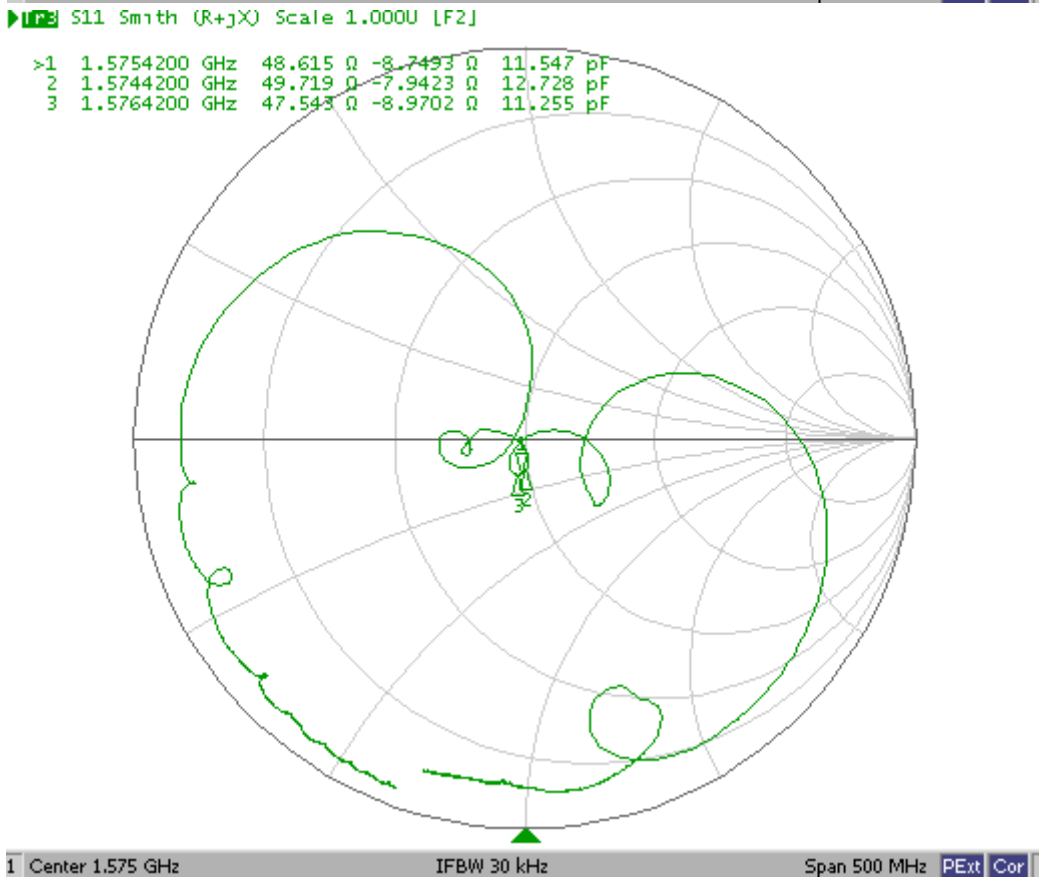
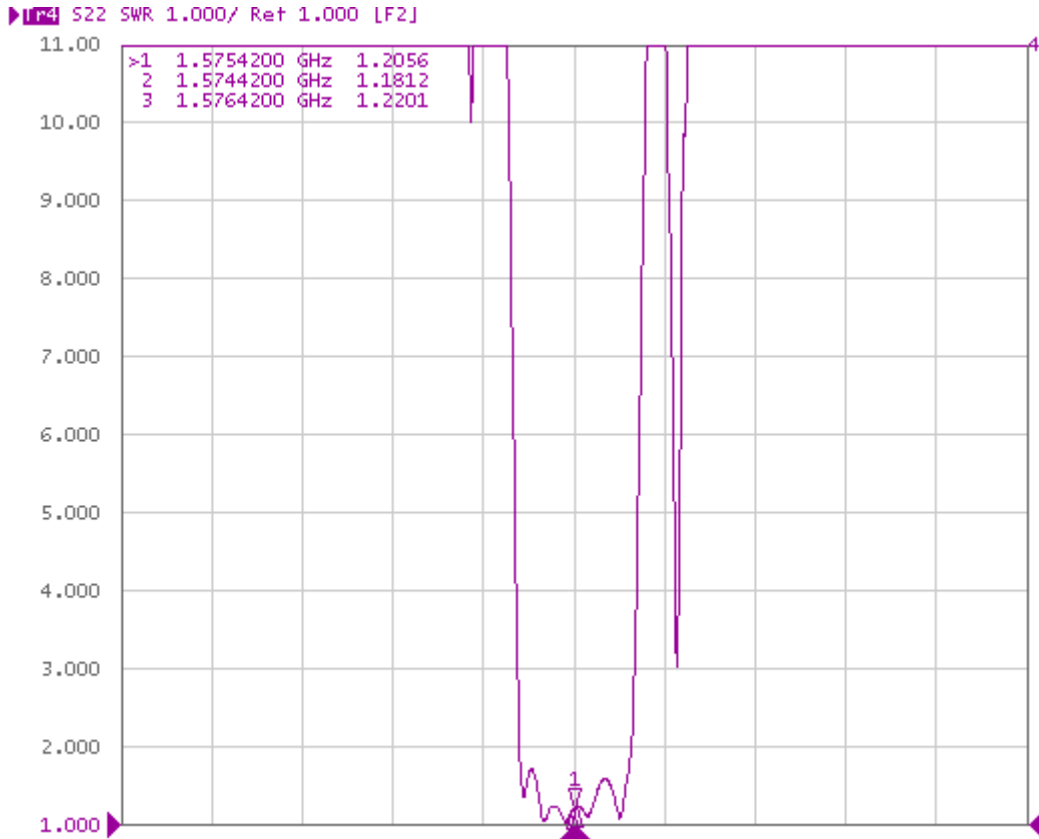
| Items | Rating | unit |
|-----------------------------|-----------|-----------------|
| Maximum Working Voltage | 0 | V _{dc} |
| Maximum Working Power | 10 | dBm |
| Operating Temperature Range | -40 ~ +85 | °C |
| Storage Temperature Range | -40 ~ +85 | °C |

Electronic Characteristics

2-1. Typical frequency response

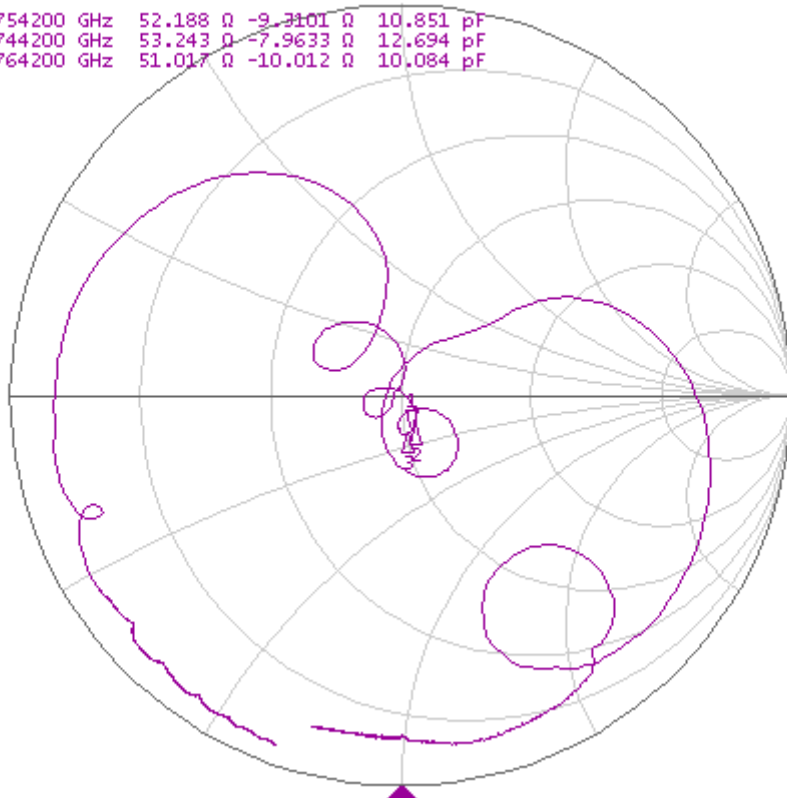






▶ Tr4 S22 Smith (R+jX) Scale 1.000U [F2]

```
>1 1.5754200 GHz 52.188 Ω -9.3101 Ω 10.851 pF
  2 1.5744200 GHz 53.243 Ω -7.9633 Ω 12.694 pF
  3 1.5764200 GHz 51.017 Ω -10.012 Ω 10.084 pF
```



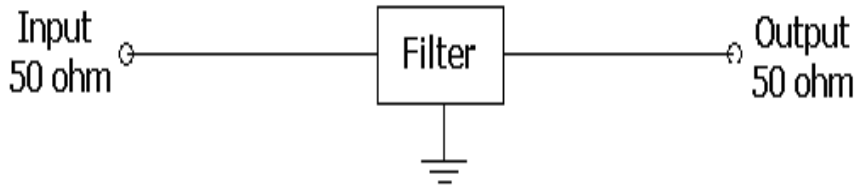
1 Center 1.575 GHz IFBW 30 kHz Span 500 MHz PExt Cor

2-2.Electrical characteristics

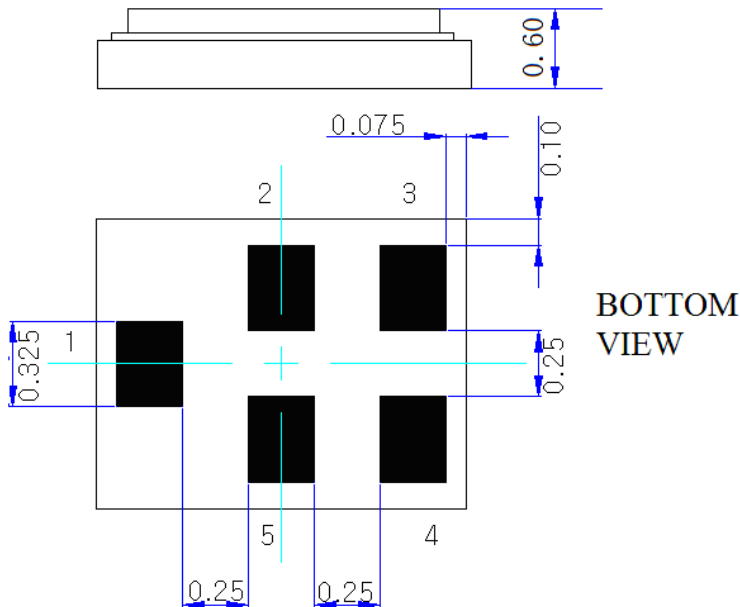
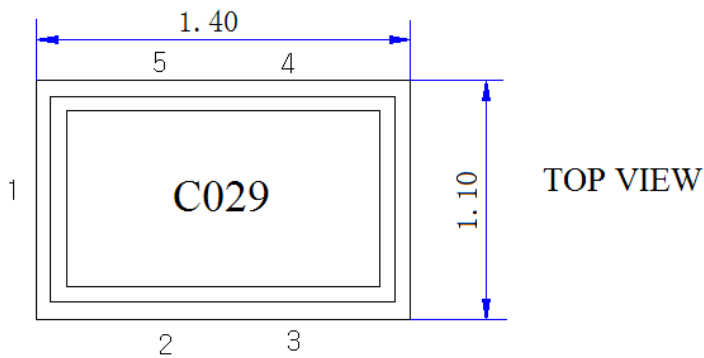
AT 25°C ± 5°C

| Items | Test Condition | Min | Typ | Max | Unit |
|------------------------|--------------------|-----|---------|-----|------|
| Center Frequency | - | - | 1575.42 | - | MHz |
| Insertion Loss | F0 ± 1.2 MHz | - | 1.3 | 1.6 | dB |
| Ripple Level | F0 ± 1.2 MHz | - | 0.1 | 0.5 | dB |
| Attenuation | D.C~1476MHz | 42 | 45 | - | dB |
| | 1425~1525MHz | 46 | 50 | - | dB |
| | 1625~1725MHz | 48 | 52 | - | dB |
| | 1725~1850MHz | 48 | 52 | - | dB |
| | 1850~2000MHz | 48 | 50 | - | dB |
| | 2000~3000MHz | 38 | 40 | - | dB |
| VSWR | 1574.22~1576.62MHz | - | 1.2 | 1.6 | - |
| Input/Output Impedance | - | - | 50 | - | ohm |

3. TEST CIRCUIT



4. DIMENSION



Pin configuration

- 1. Input
- 4. Output
- 2,3,5 To be grounded